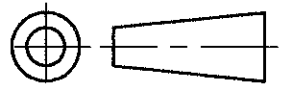


DO NOT SCALE
DIMENSIONS IN mm

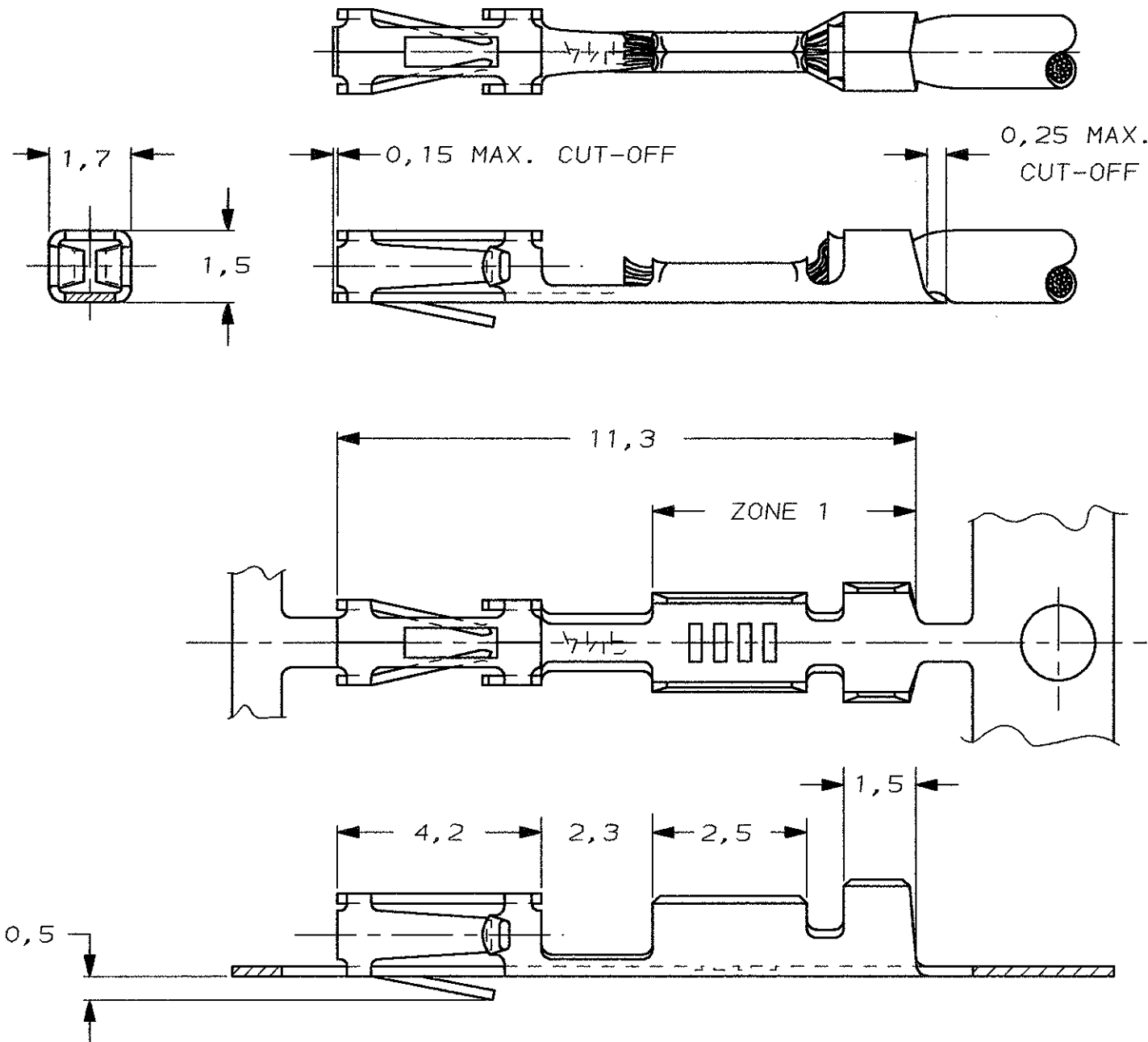
METRIC

THIRD ANGLE
PROJECTION




NOTES:

- 1 FOR MINI-APPLICATOR CRIMPING.
- 2 UNDERCOATING: 1,25µm Ni, SELECTIVE: 0,8µm Au, ZONE 1: 0,5µm MIN. GOLDFLASH.
- 3 UNDERCOATING: 1,25µm Ni, SELECTIVE: 0,8µm Au, REMAINDER: GOLDFLASH.
- 4 ZONE 1: BRIGHT TIN/LEAD PLATED.
- 5 PRE-TIN PLATED 2,0µm.
- 6 MATERIAL: PHOSPHORBRONZE



WIRE RANGE :
0,03-0,09 mm² 28-32 AWG
INSULATION RANGE :
0,5-1,02 DIA. .020-.040 DIA.

TIN	5	167024-3	167021-3
GOLD	3	167024-2	167021-2
GOLD	2	167024-1	167021-1

					FINISH	LOOSE PIECE	PARTNUMBER	
-	-	-	-	-	CUSTOMER DRAWING FOR REFERENCE ONLY WILL NOT BE UPDATED			
					© COPYRIGHT 19- BY AMP HOLLAND B.V. ALL INTERNATIONAL RIGHTS RESERVED. AMP PRODUCTS MAY BE COVERED BY U.S. AND FOREIGN AND/OR PATENTS PENDING. THIS DRAWING IS UNPUBLISHED RELEASED FOR PUBLICATION , 19			
					 AMP HOLLAND B.V. 's-Hertogenbosch, The Netherlands.			
					NAME AMPMODU MOD.4 RECEPTACLE, S.C.P. STRIP			
A	EH-2039-98	JvL	JvL	03-12-98				
LTR.	REVISION RECORD		DR.	CHK.	DATE			
DR.:	J.V.LIEMPT	CHK.:	J.V.LIEMPT	APP.:	E.LEIJTENS	DWG.No.	REV.LTR.	SHEET
DATE:	03 DEC 98	DATE:	-	DATE:	-	C-167021	A	1 OF 1